

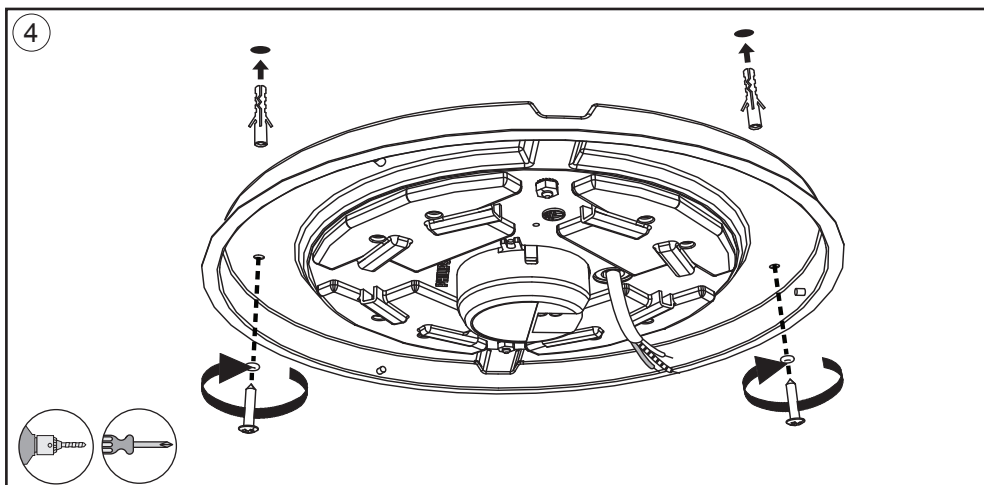
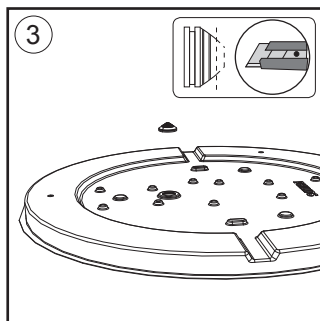
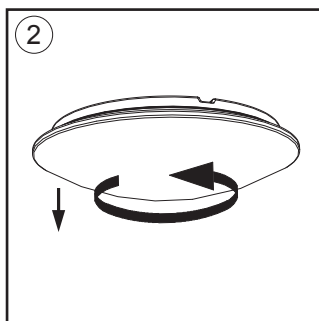
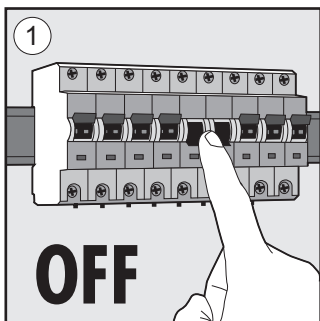
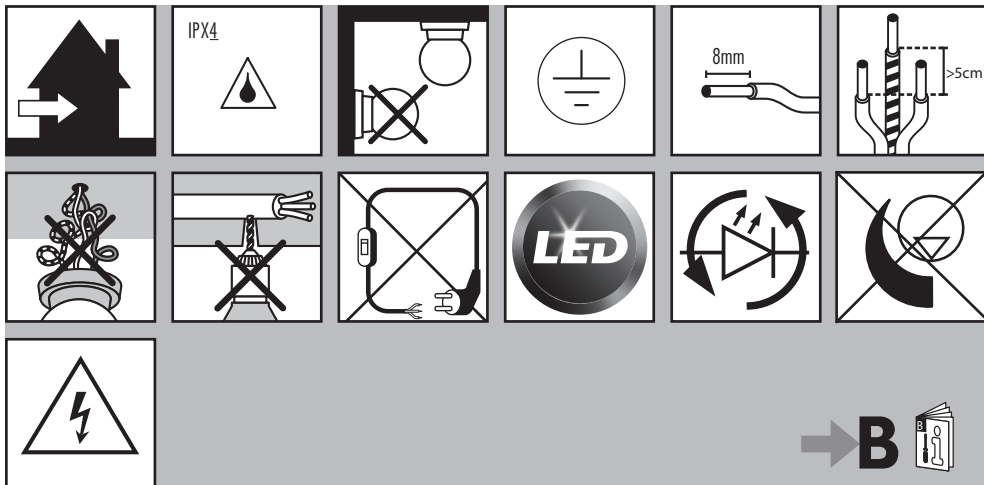


# PHILIPS

Philips Lighting Contact Centre  
Inc. Business Reply Service  
I.B.R.S. / C.C.R.I. Numéro 10461  
5600 VB Eindhoven

Pays-Bas / The Netherlands

4404.029.08341 Last update 19/07/2017



# PHILIPS

