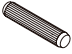
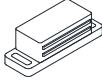
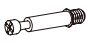












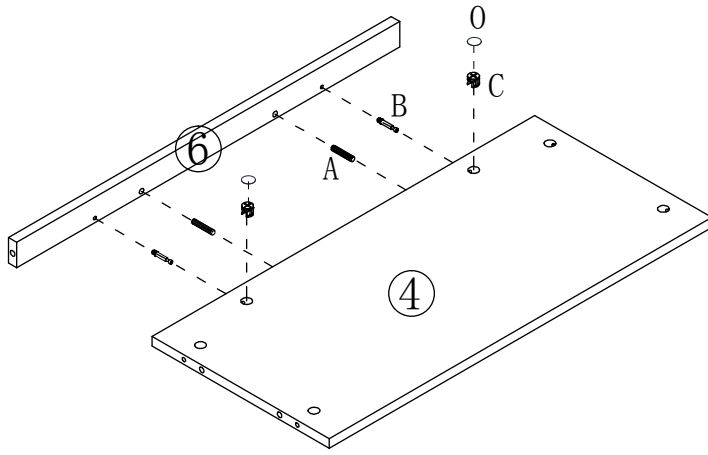
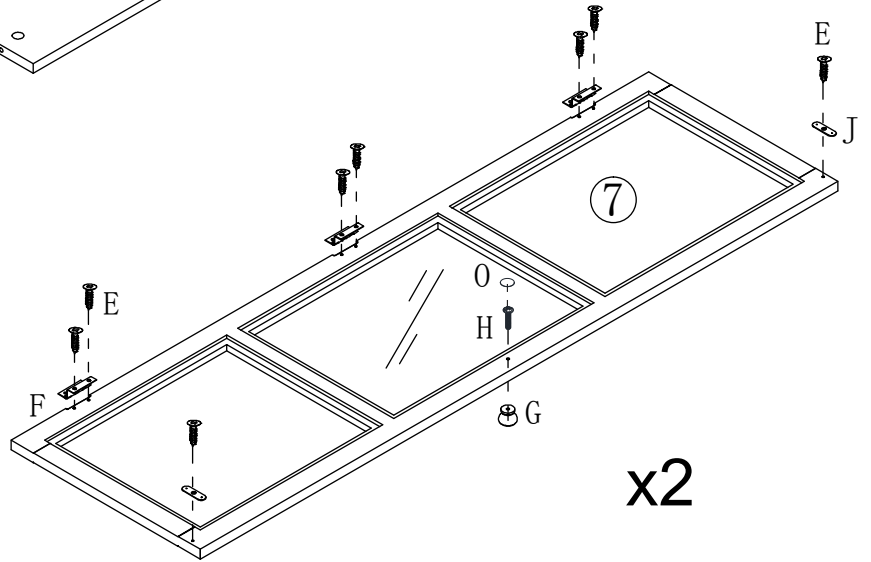


A	 8X30mm	20pcs	I	 2pcs	
B	 6X28mm	18pcs	J	 4pcs	
C	 15X12mm	18pcs	K	 2.5X14mm	4pcs
D	 2.5X10mm	34pcs	L	 2pcs	
E	 3X12mm	28pcs	M	 2pcs	
F	 6pcs		N	 2pcs	
G	 2pcs		O	 20pcs	
H	 4X16mm	2pcs			

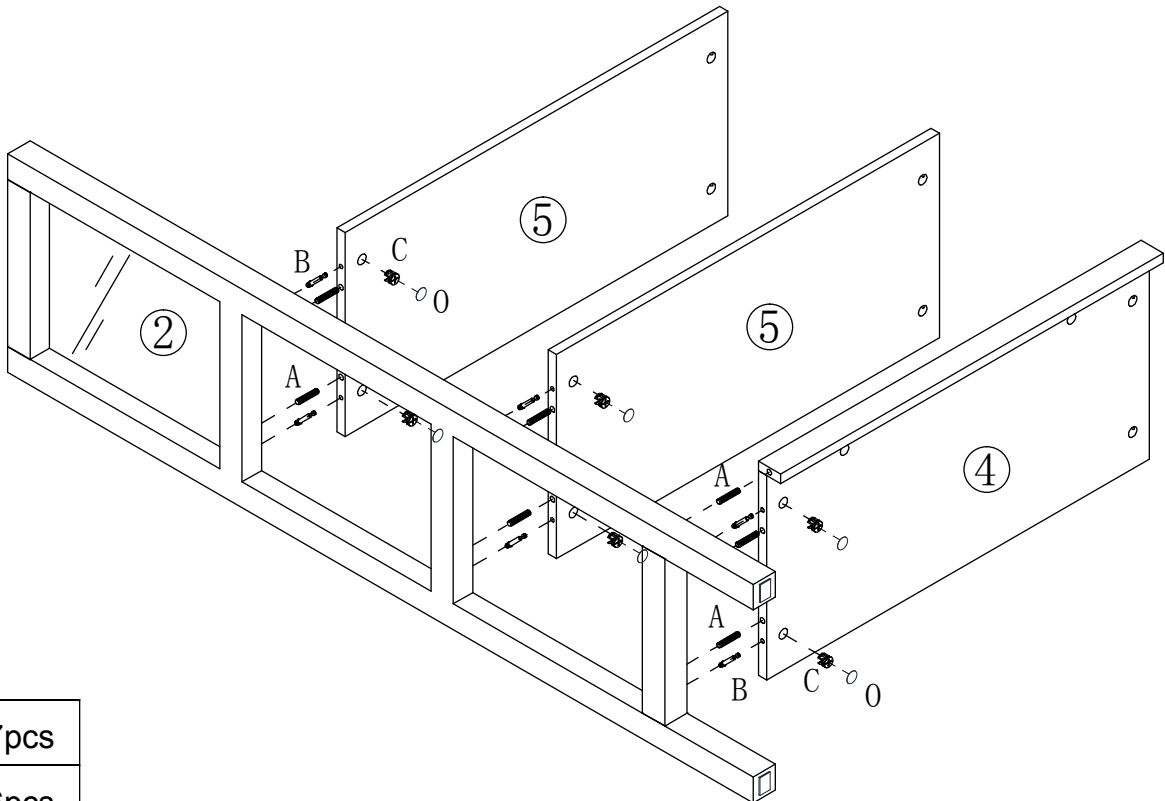
①



- (A)x2pcs
- (B)x2pcs
- (C)x2pcs
- (E)x16pcs
- (F)x6pcs
- (G)x2pcs
- (H)x2pcs
- (J)x4pcs
- (O)x4pcs

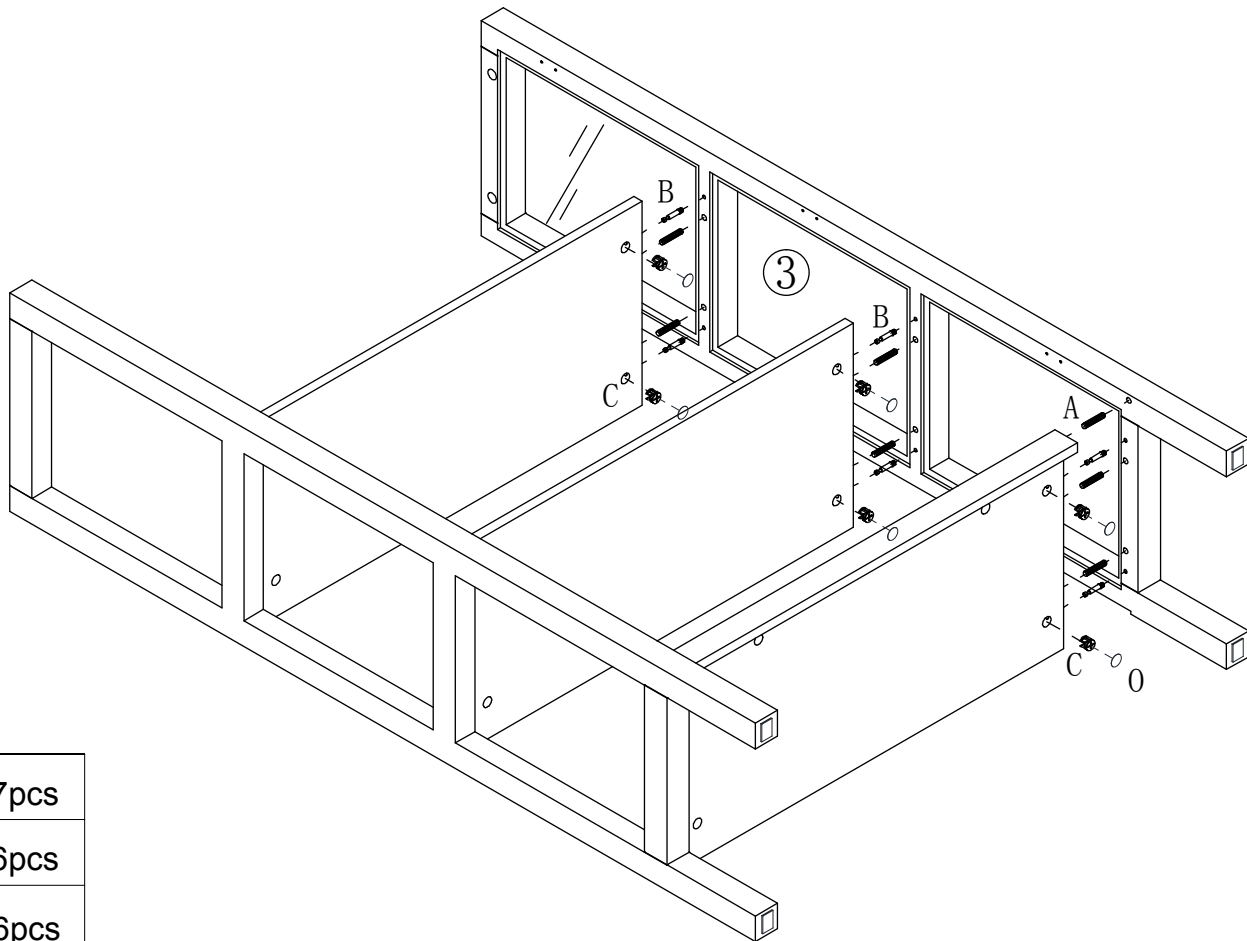



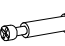


②



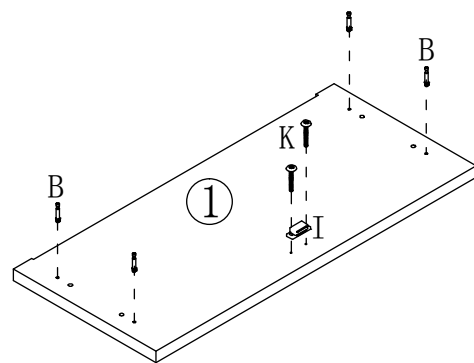
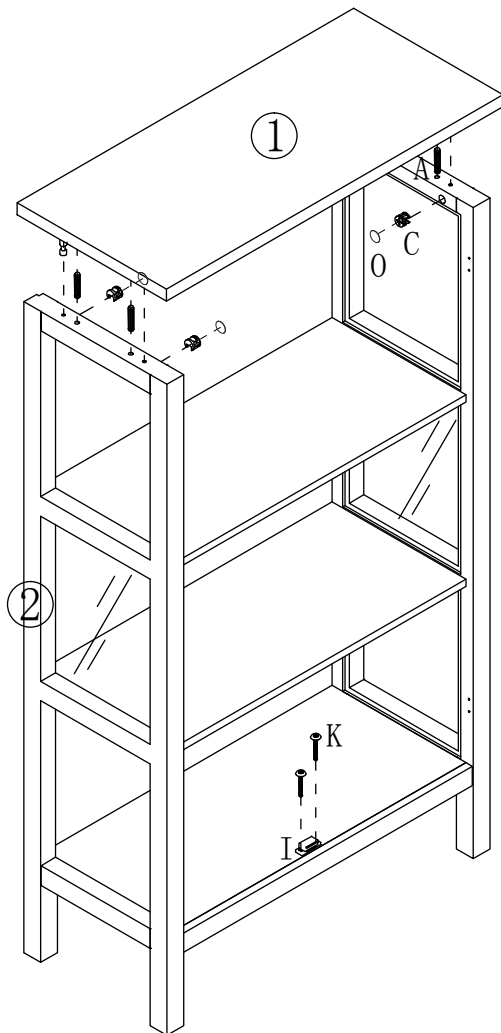
- (A)x7pcs
- (B)x6pcs
- (C)x6pcs
- (O)x6pcs


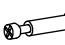




③



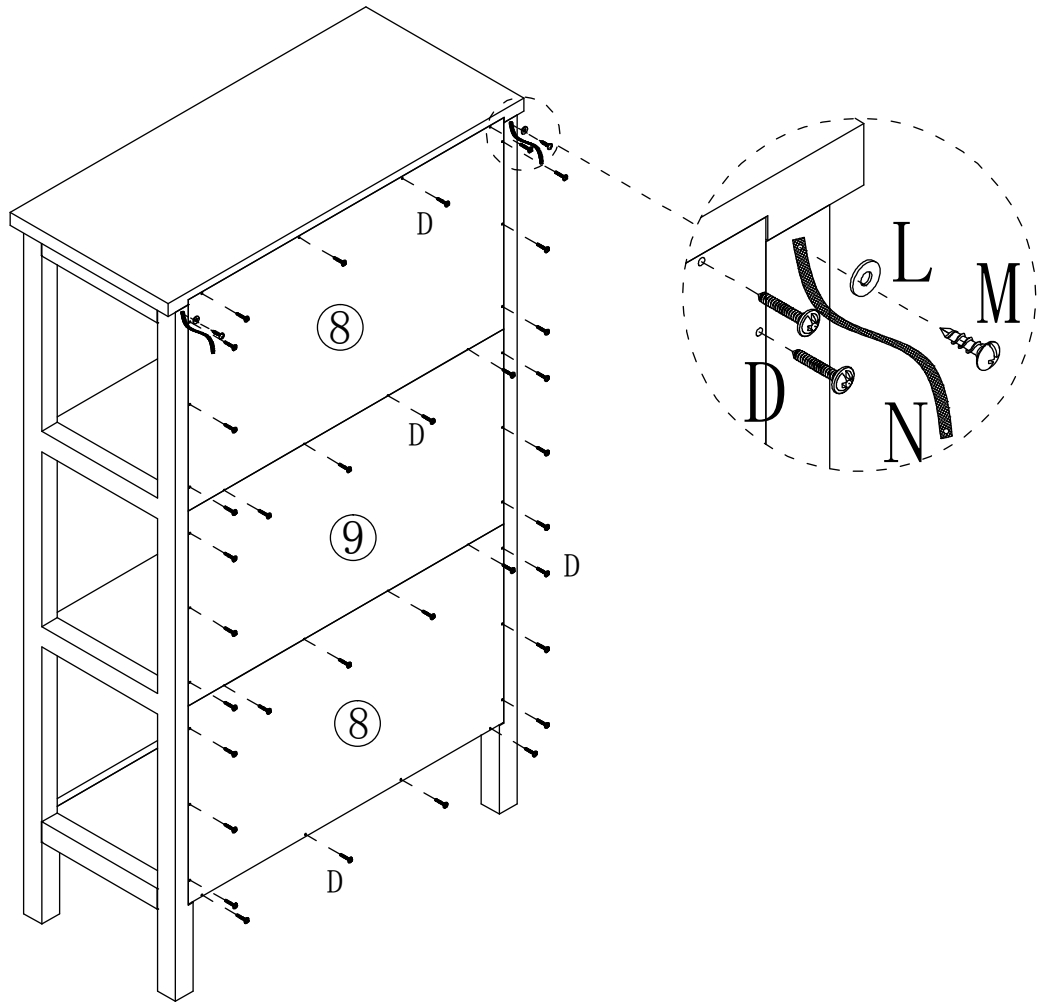
-  (A)x7pcs
-  (B)x6pcs
-  (C)x6pcs
-  (O)x6pcs





④



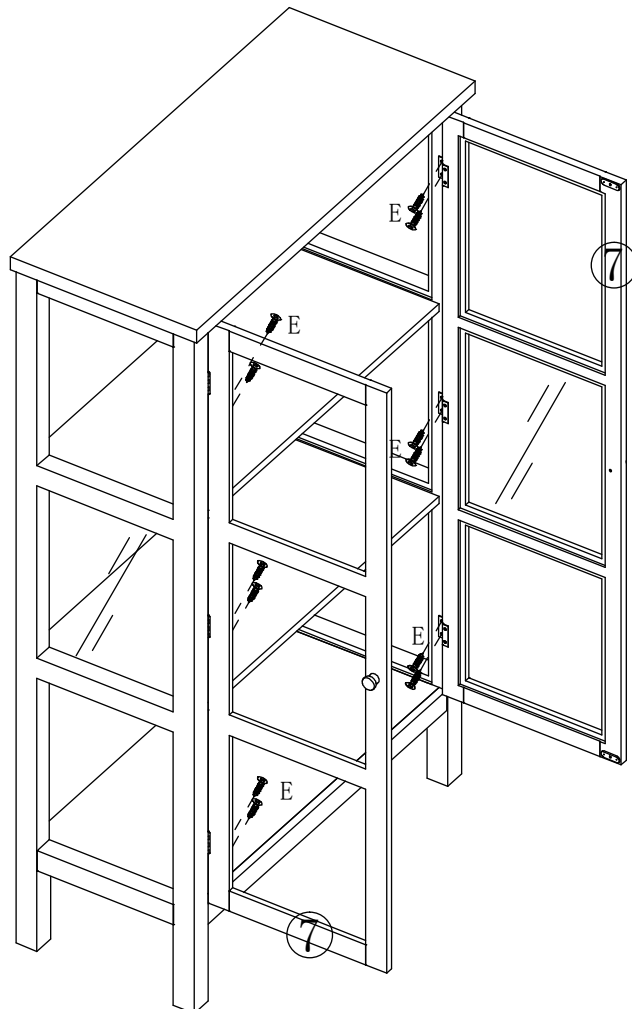
-  (A)x4pcs
-  (B)x4pcs
-  (C)x4pcs
-  (I)x2pcs
-  (K)x4pcs
-  (O)x4pcs


5



- | | |
|---|-----------|
|  | (D)x34pcs |
|  | (L)x2pcs |
|  | (M)x2pcs |
|  | (N)x2pcs |

6



- | | |
|---|-----------|
|  | (E)x12pcs |
|---|-----------|

7

