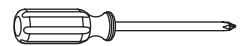
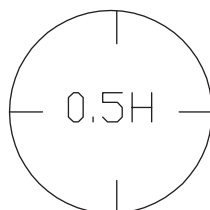
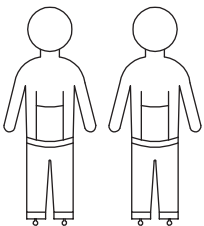
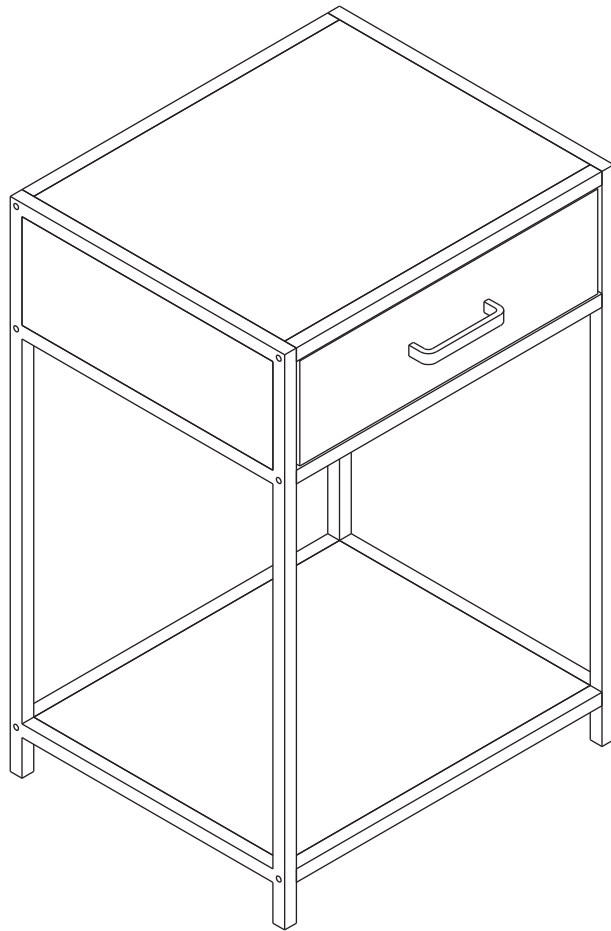
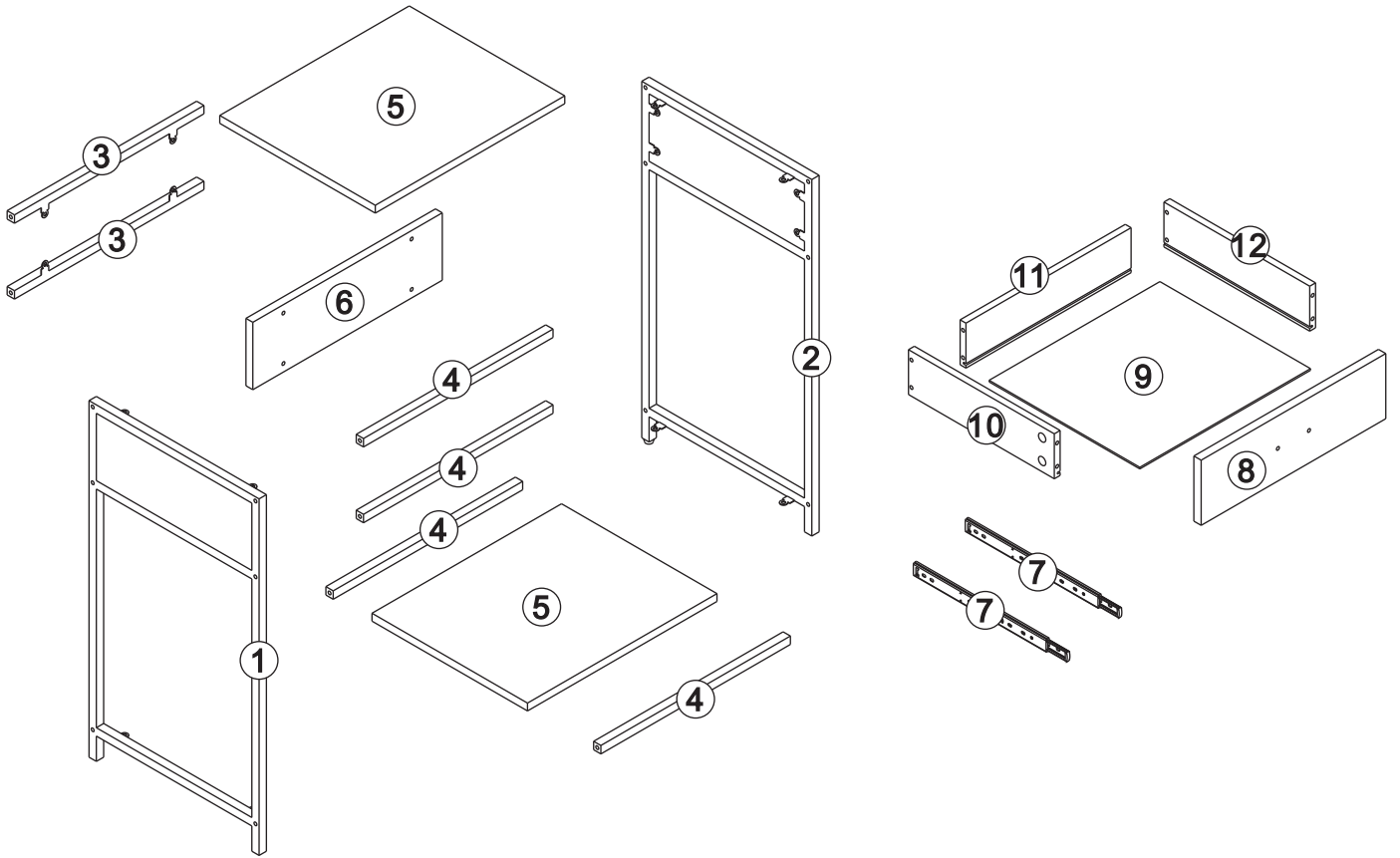
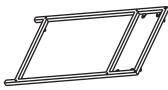
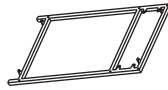


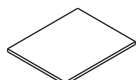
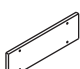

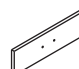
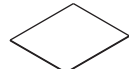
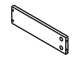


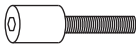


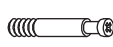

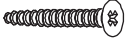
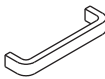




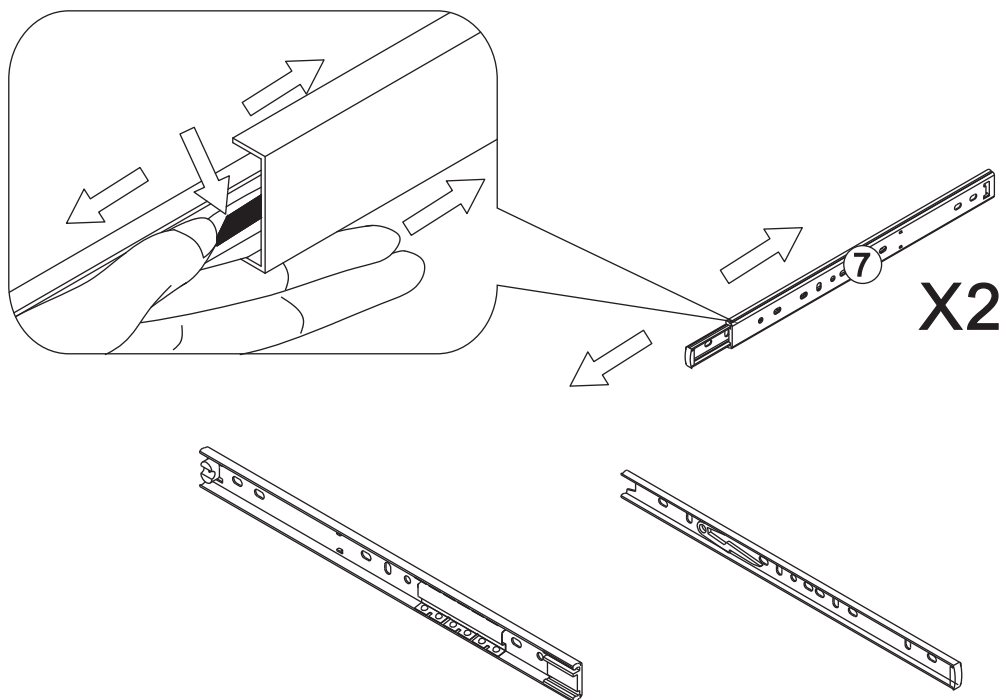
Seaford



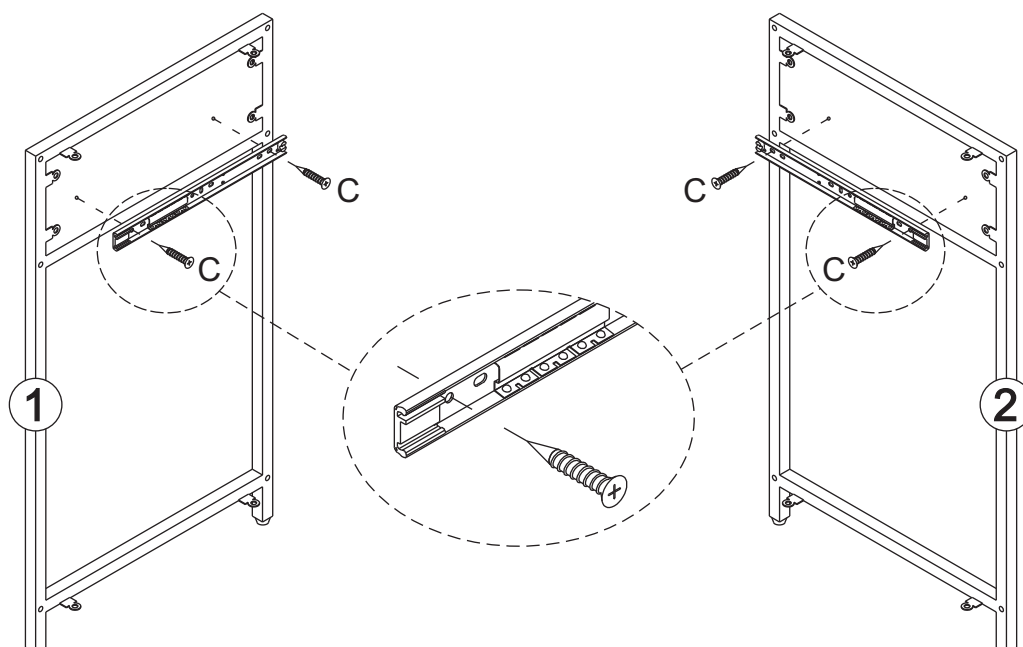



 1 1PC	 2 1PC	 3 2PCS	 4 4PCS	 5 2PCS
 6 1PC	 7 2PCS	 8 1PC	 9 1PC	 10 1PC
 11 1PC	 12 1PC			
A M6X15mm  12PCS	B M4X12mm  12PCS	C M3.5X12mm  8PCS	D M6X22mm  4PCS	E Ø12  4PCS
F M4X35mm  4PCS	G  1PC	H M4X18mm  2PCS	I 4mm  1PC	

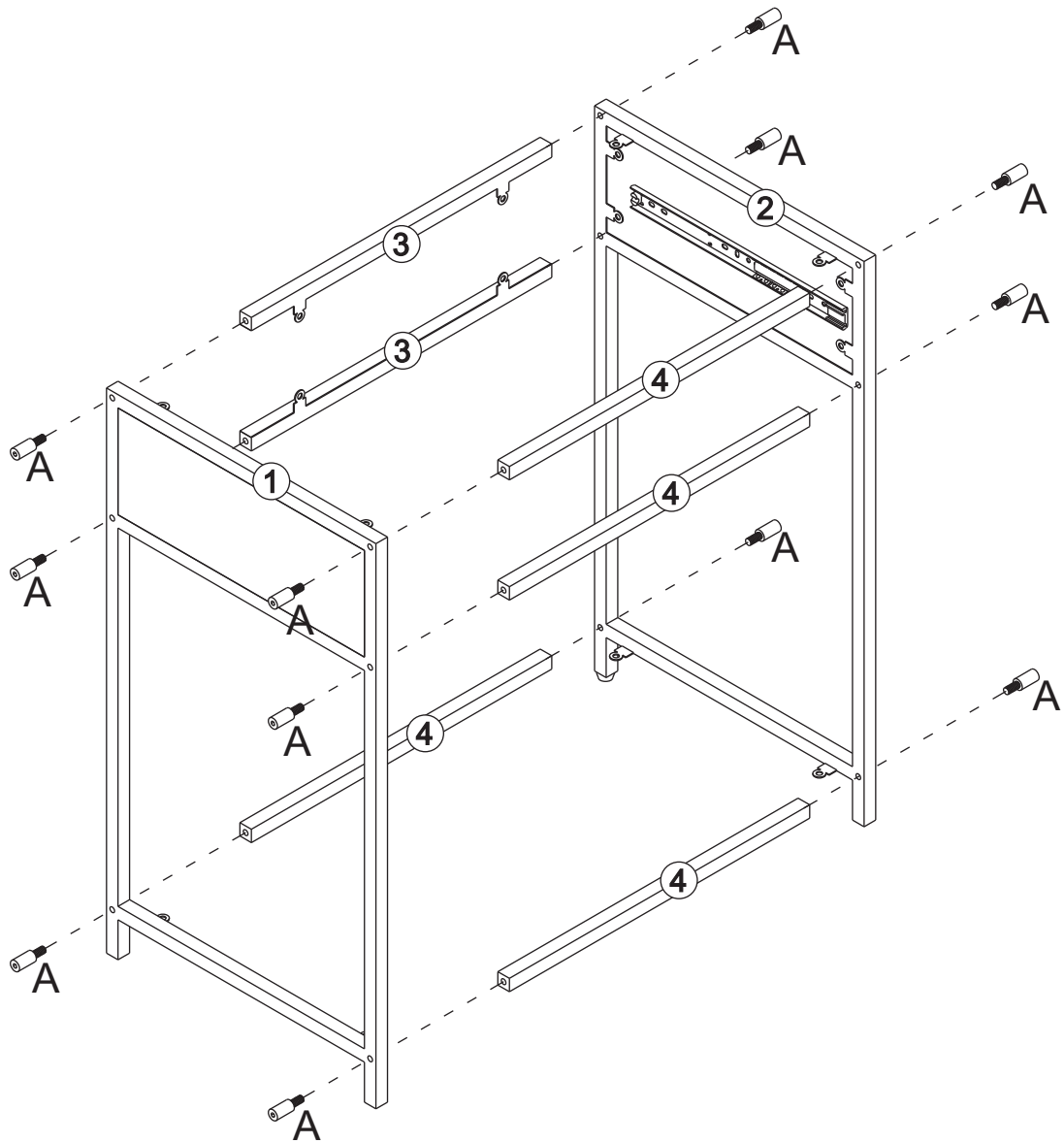
1

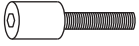


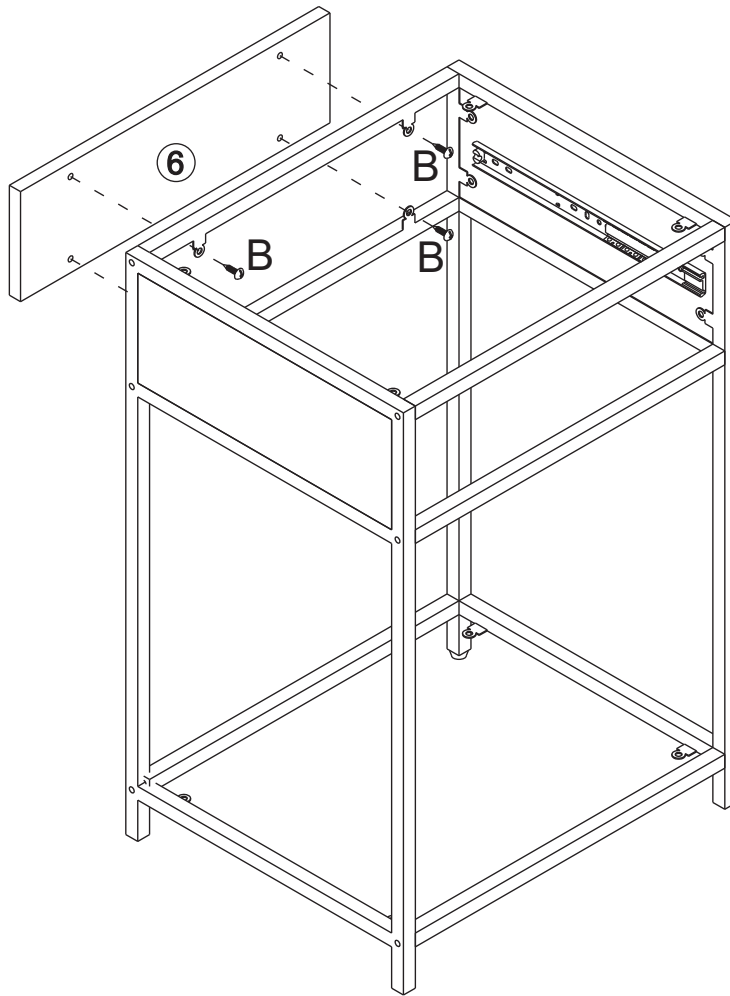
2




C
M3.5X12mm

4PCS



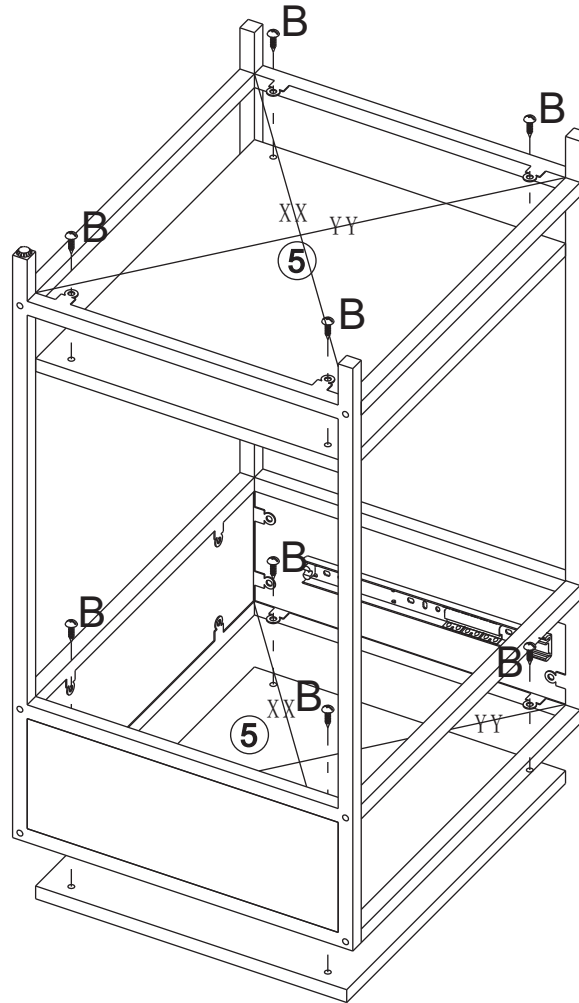
A
M6X15mm

12PCS




B
M4X12mm

4PCS

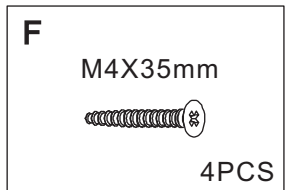
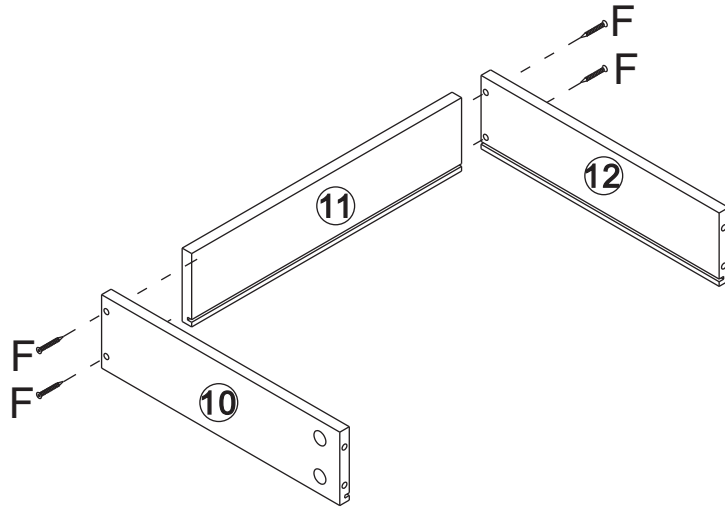
5

! XX=YY

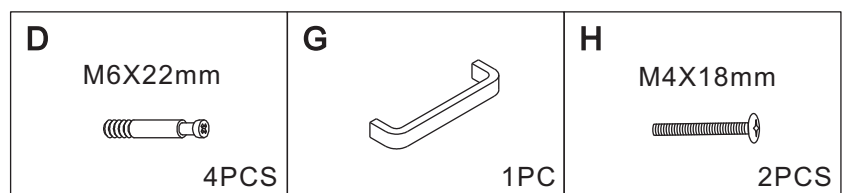
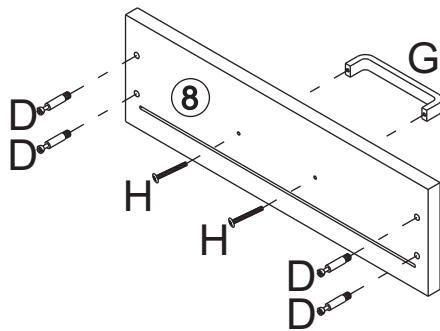


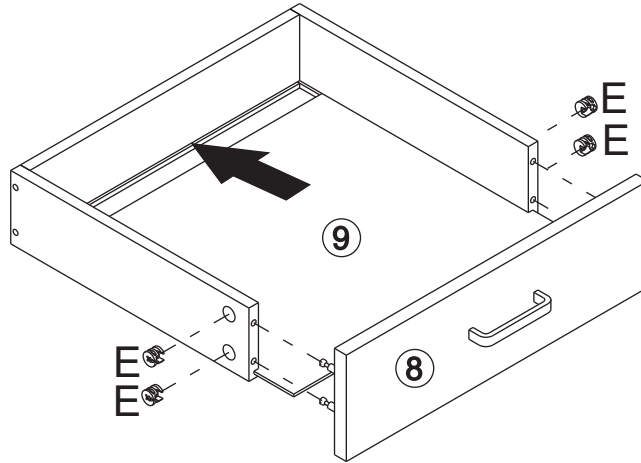
B
M4X12mm

8PCS

6

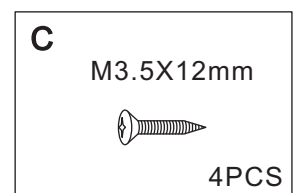
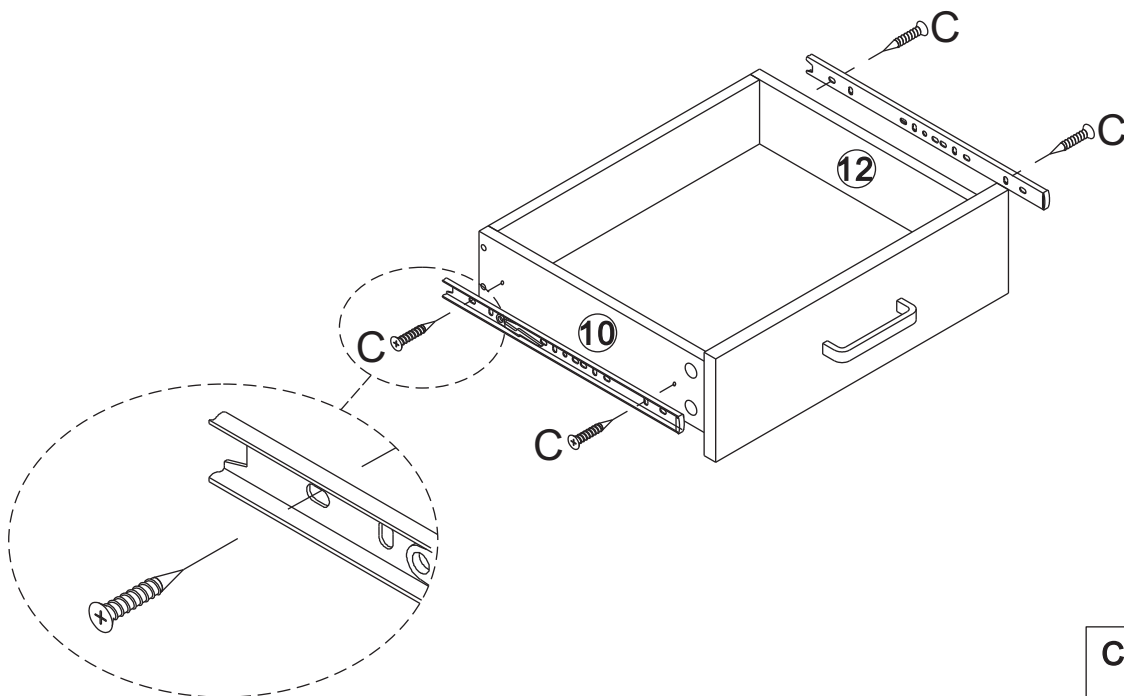


7





9



10

