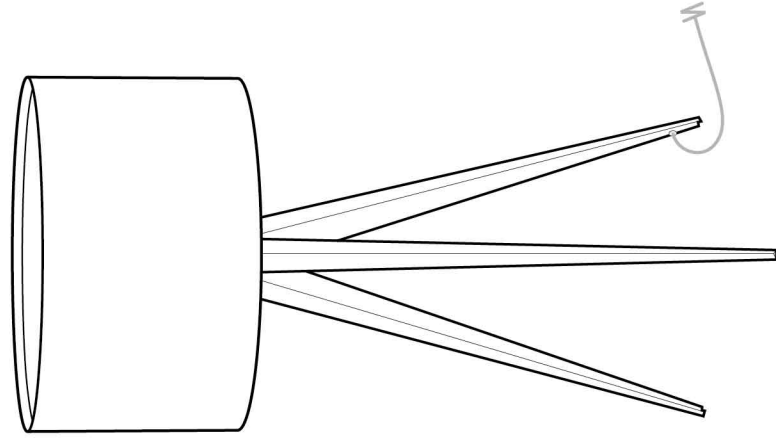
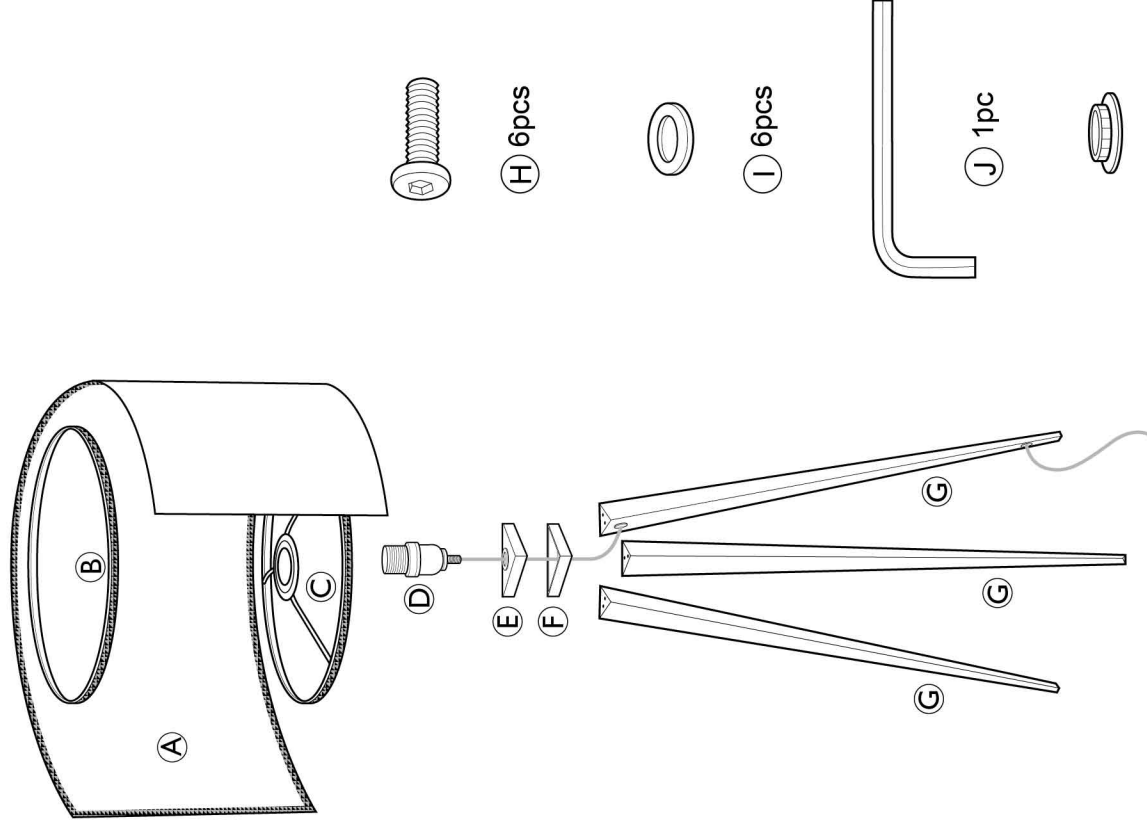


# ASSEMBLY INSTRUCTIONS

5200006, 5200007, 5200008, 5200009 TABLE LAMP TRIPOD



# ZUIVER<sup>o</sup>



LAMPSHADE patent

USA: US 8,292,476

China: ZL200820000799.4

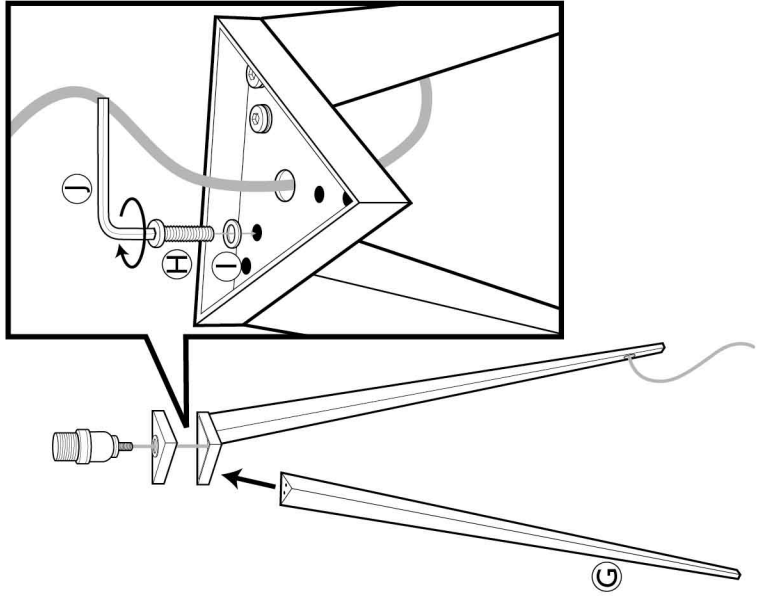
EU: 08014421.5-2423

Japan: 3145825

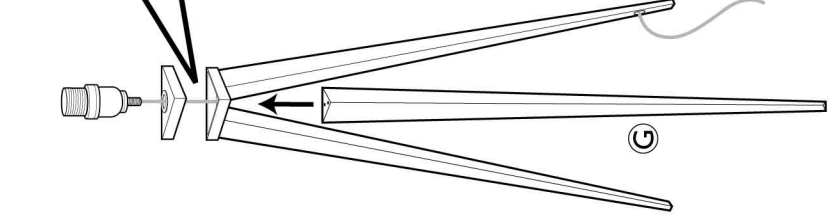
Taiwan: M350672

**Caution** : If the external flexible cable or cord of this luminaire is damaged, it should be replaced by a qualified person in order to avoid a hazard.

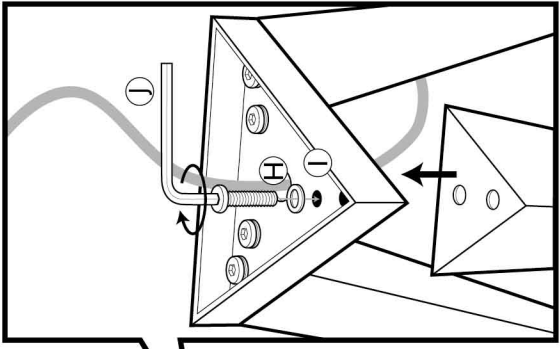
3



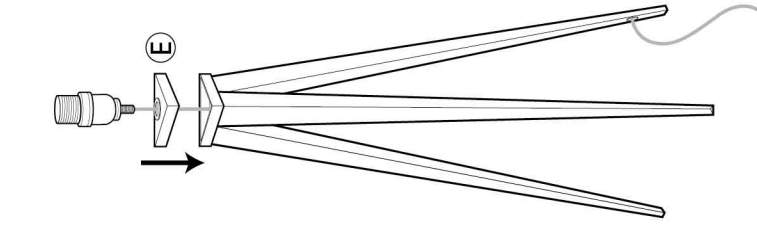
4



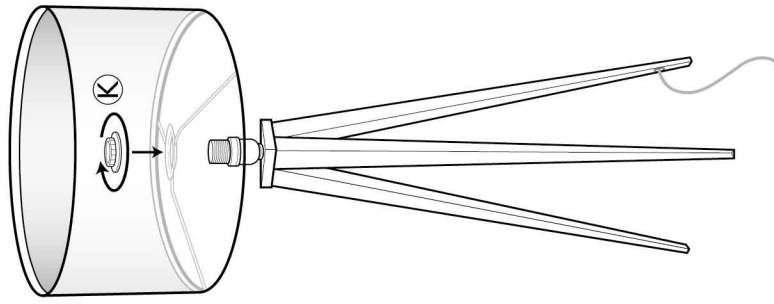
5



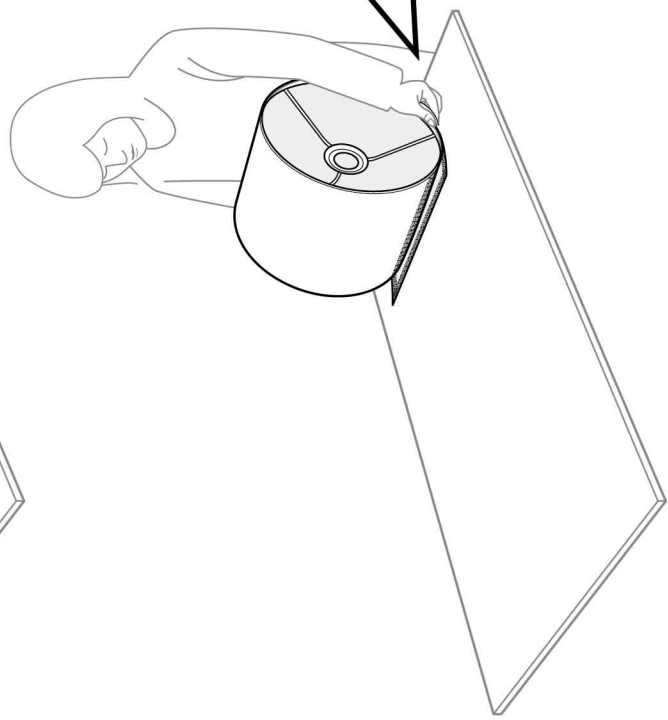
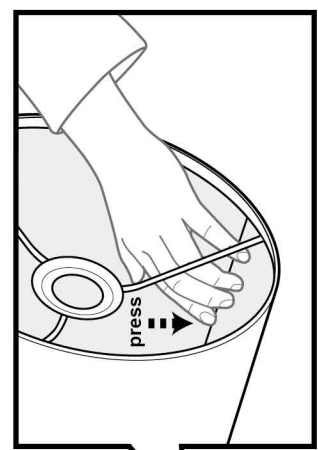
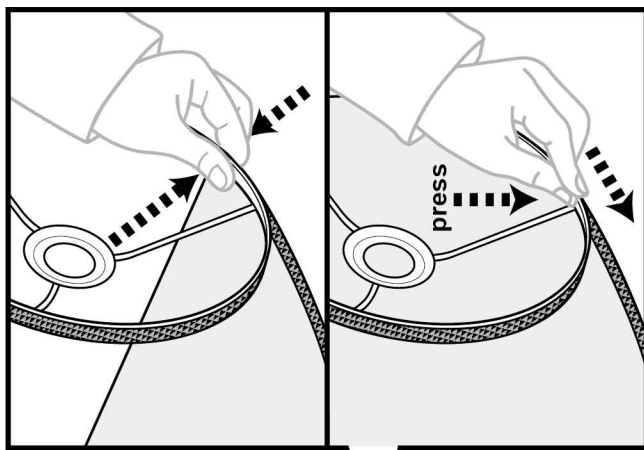
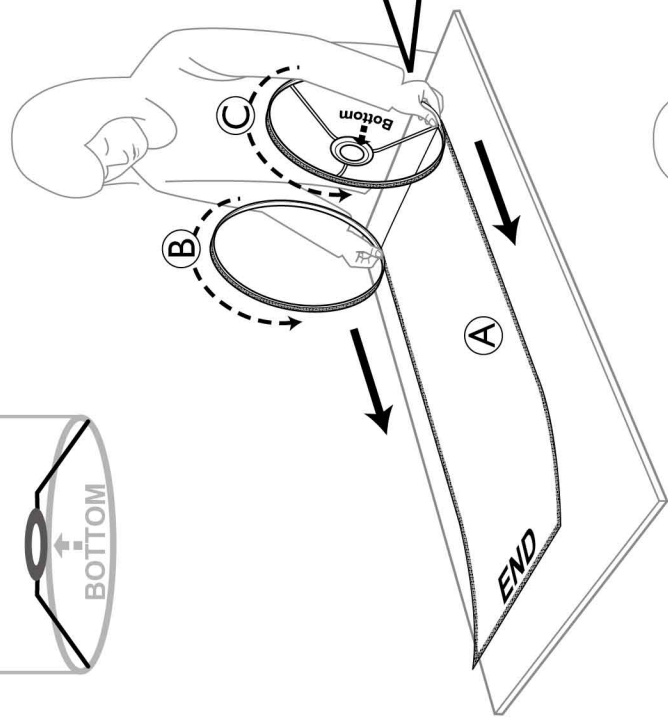
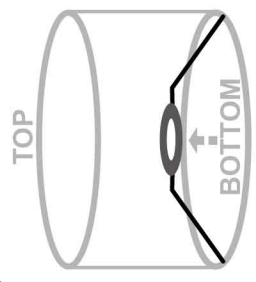
6



7



1



2

